

PRIVATE DRAIN PIPE PERMIT APPLICATION

CITY OF MANSFIELD, TEXAS

JOB ADDRESS: _____
 DESCRIPTION: _____
 Lot/ Tract _____ Block _____ Subdivision/Survey _____

OWNER: _____ Address _____ Phone: _____

CONTRACTOR: _____ Address _____

PHONE: _____ Email _____

COMMERCIAL OR RESIDENTIAL _____

WORK TO BE DONE:	<input type="checkbox"/> ADD NEW DRAIN SYSTEM	<input type="checkbox"/> EXPAND EXISTING DRAIN SYSTEM	TOTAL NUMBER OF RELEASE POINTS IN PUBLIC ROW:
CURB TO BE CORED?	<input type="checkbox"/> YES- work to be done by the Owner or a Contractor	DIAMETER OF CORE CUT (IN INCHES): NUMBER OF CORE CUTS:	<input type="checkbox"/> NO
COMMENTS/DESCRIPTION OF WORK:			
Signature of Applicant:		Date:	
Please Print Name:			

***Attach a dimensioned site plan showing all property lines, easements and approach location.**

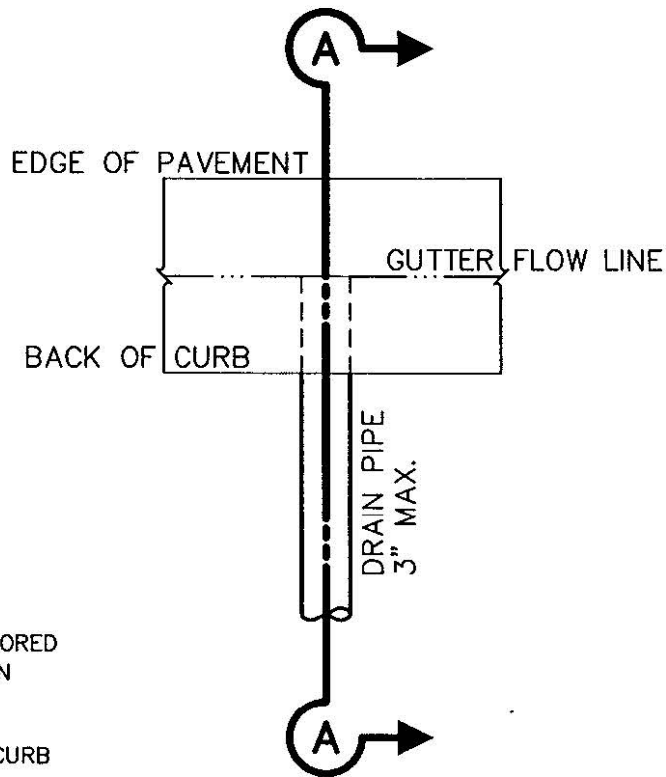
ADDITIONAL INFORMATION

Permitting: The City of Mansfield requires a permit for private drain pipes (commonly referred to as “French drains”), if the release points for the drains are entering into the street, curb inlets, or any other public rights of way. If the drain pipes will be exiting through the curb, the curb must be cored, not cut. See Page 2 of this permit for the private drain pipe detail sheet.

PLEASE NOTE: Private drain pipes or French drains are not permitted for swimming pool discharges. Swimming pools are required to discharge into the sanitary sewer system.

A dimensioned site plan or plot plan is required with the application showing property lines and work to be performed.

Inspections: An inspection will be required after the core cut is made in the curb and can be called into 817-276-4269 for scheduling.

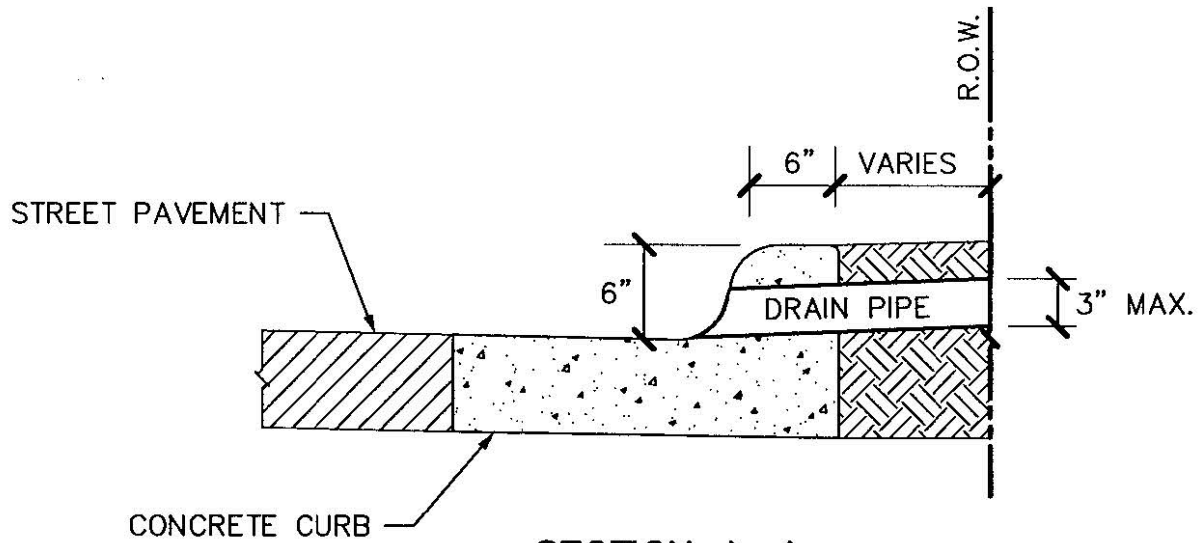


PLAN VIEW

NOT TO SCALE

NOTES:

1. CONCRETE CURB SHALL BE CORED TO PROVIDE A MAXIMUM DRAIN PIPE DIAMETER OF 3".
2. CONTRACTOR SHALL GROUT CURB ALL AROUND DRAIN PIPE.
3. DRAIN PIPE SHALL EMPTY AT THE GUTTER FLOWLINE.
4. DRAIN PIPE SHALL BE CONTOURED TO THE FACE OF CURB.



SECTION A-A

NOT TO SCALE